

Please read **Important Safety Instructions** on reverse before installing!

Tools Required:

- Variable speed drill with #2 Phillips tip
- Safety Glasses
- Measuring Tape
- Rubber Gloves
- 9/16" and 1/2" wrench & socket
- Other tools may be required:
- #2 Phillips screw driver
- Variable speed right angle drill
- Pencil
- 1/8" drill bit



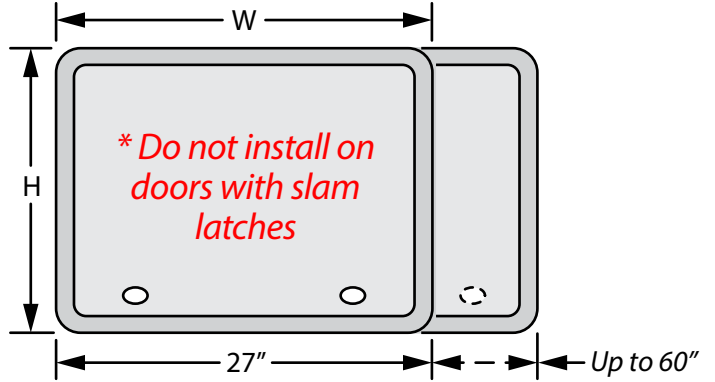
- Make sure you are installing the correct Hatchlift Kit - See chart below.
- Check for adequate door and wall thickness before drilling and installing Hatchlift Kits.
- If door will not close after installing, try lowering the bottom bracket - See Step 14
- Do not allow doors to slam closed. Install and use pull strap - See Step 15

HATCHLIFT KIT - SIZE CHART

HLK-SM	Small	Doors 14"-20" tall
HLK-STD	Standard	Doors 21"-27" tall
HLK-MED	Medium	Doors 28"-32" tall
HLK-LGE	Large	Doors 33"-38" tall
HLK-HVY	Heavy	Doors 39"-44" tall

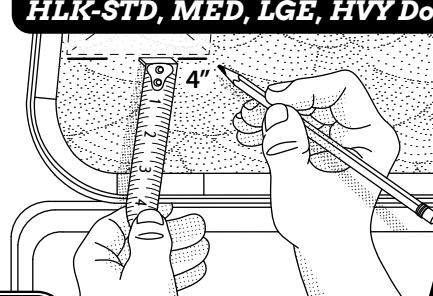
* Doors over to 27" wide, order 2 kits

* Doors up to 30" wide with infrequent use, order 1 kit



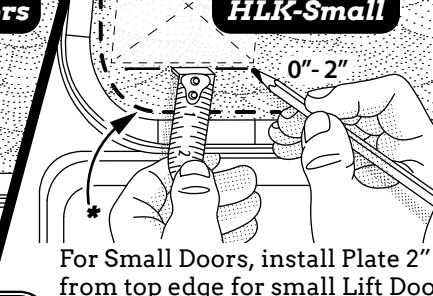
Mounting Plate & Upper Bracket Installation

HLK-STD, MED, LGE, HVY Doors



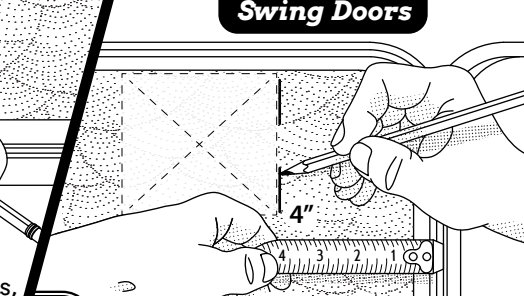
1a Measure 4" from the top edge for a lift door

HLK-Small



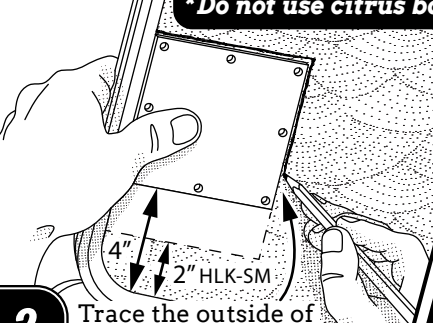
1b For Small Doors, install Plate 2" from top edge for small Lift Doors, and 2" from the side for small Swing Doors

Swing Doors

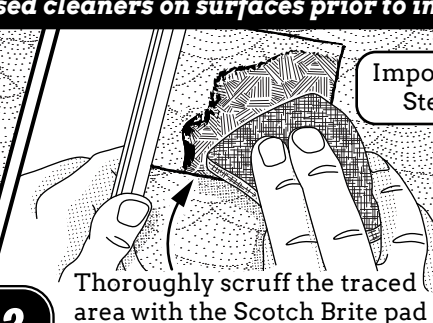


1c Measure 4" from the side for a swing door


***Do not use citrus based cleaners on surfaces prior to installing the adhesive plate.**



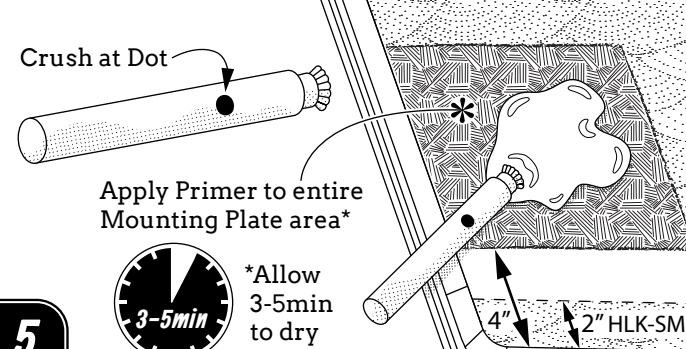
2 Trace the outside of the Mounting Plate



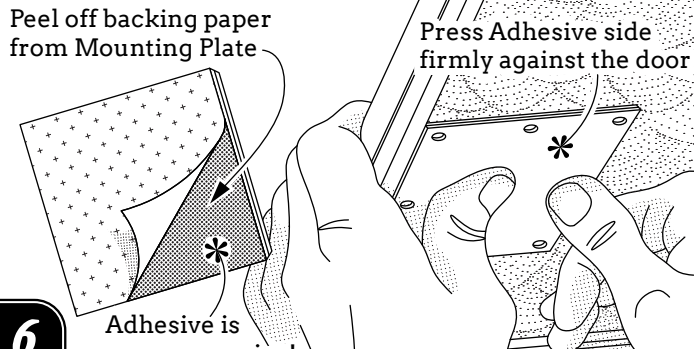
3 Thoroughly scuff the traced area with the Scotch Brite pad
Save scuff pad for Step 15



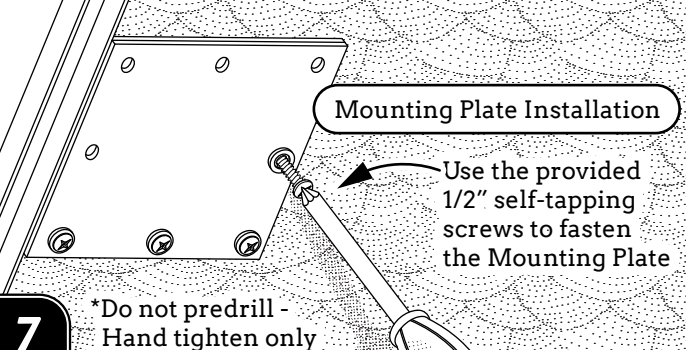
4 Clean the scuffed area with the alcohol wipe
Save alcohol wipe for Step 15



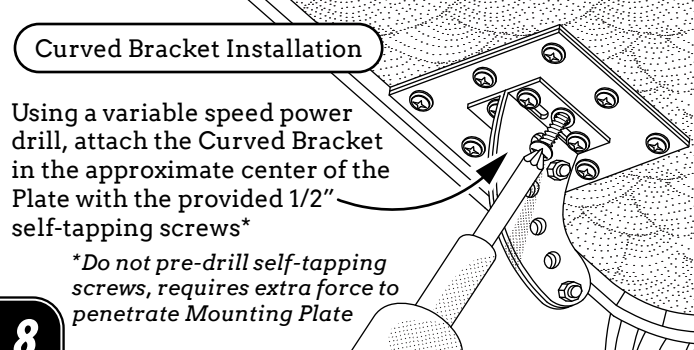
5 Crush at Dot
Apply Primer to entire Mounting Plate area*
*Allow 3-5min to dry



6 Peel off backing paper from Mounting Plate
Press Adhesive side firmly against the door
Adhesive is very aggressive!



7 Mounting Plate Installation
Use the provided 1/2" self-tapping screws to fasten the Mounting Plate
*Do not predrill - Hand tighten only

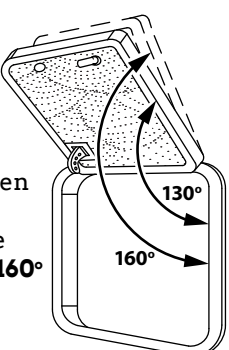


8 Curved Bracket Installation
Using a variable speed power drill, attach the Curved Bracket in the approximate center of the Plate with the provided 1/2" self-tapping screws*
*Do not pre-drill self-tapping screws, requires extra force to penetrate Mounting Plate

Lower Bracket Installation

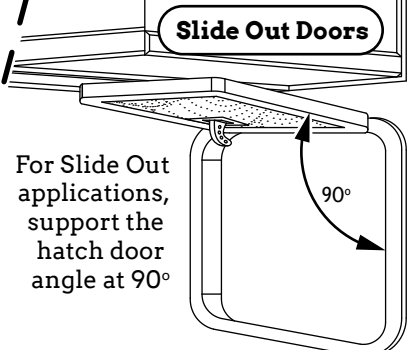
Lift Doors

For Lift applications, support the hatch door open to its desired opening angle **between 130-160°**



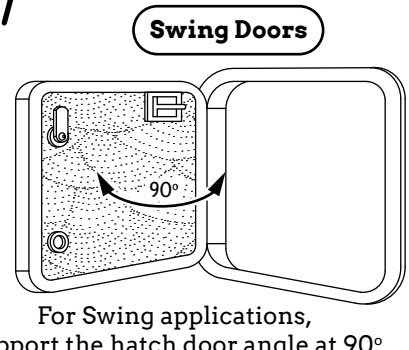
Slide Out Doors

For Slide Out applications, support the hatch door angle at 90°



Swing Doors

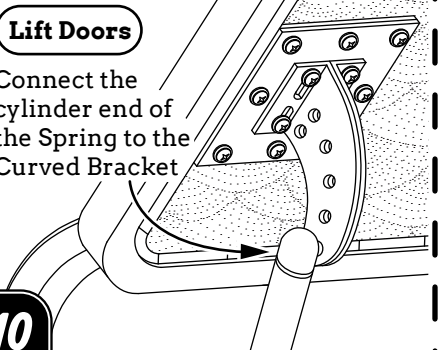
For Swing applications, support the hatch door angle at 90°



9

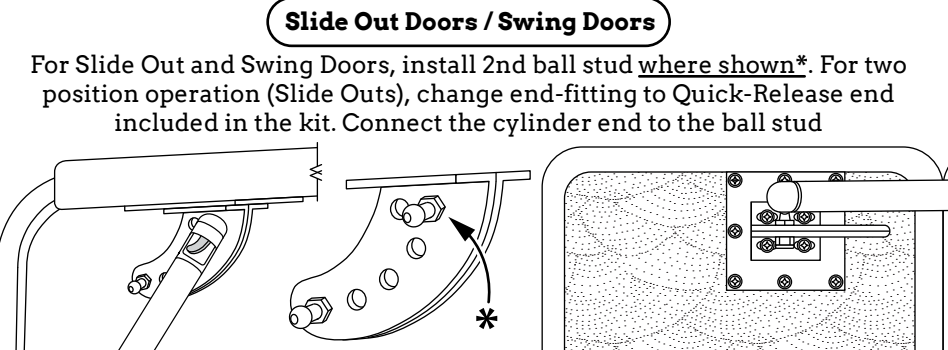
Lift Doors

Connect the cylinder end of the Spring to the Curved Bracket



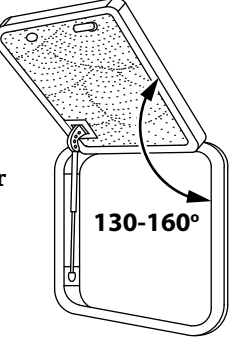
Slide Out Doors / Swing Doors

For Slide Out and Swing Doors, install 2nd ball stud where shown*. For two position operation (Slide Outs), change end-fitting to Quick-Release end included in the kit. Connect the cylinder end to the ball stud

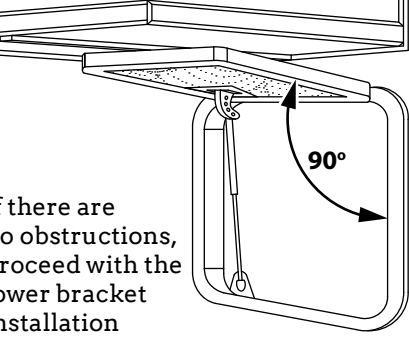


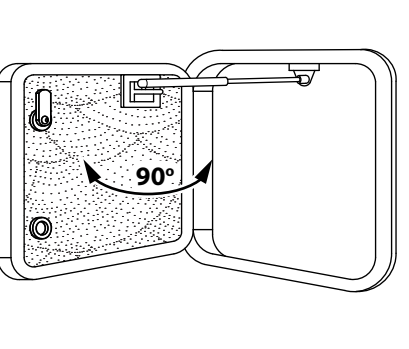
10

Hold the assembly in position with the Lower Bracket best suited for your application



If there are no obstructions, proceed with the lower bracket installation

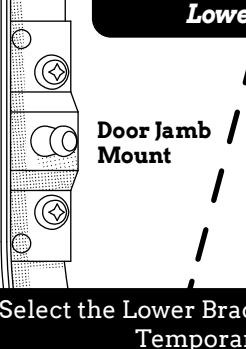




11

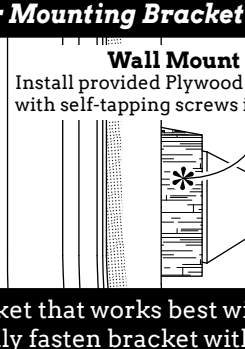
Lower Mounting Bracket Options

Door Jamb / Mount



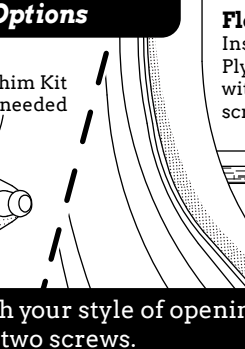
Wall Mount

Install provided Plywood Shim Kit with self-tapping screws if needed



Floor Mount

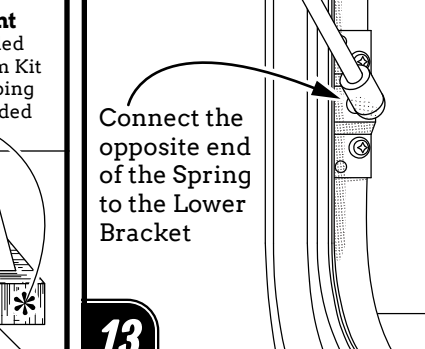
Install provided Plywood Shim Kit with self-tapping screws if needed



Select the Lower Bracket that works best with your style of opening. Temporarily fasten bracket with two screws.

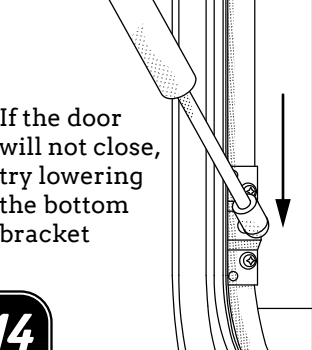
12

Connect the opposite end of the Spring to the Lower Bracket



13

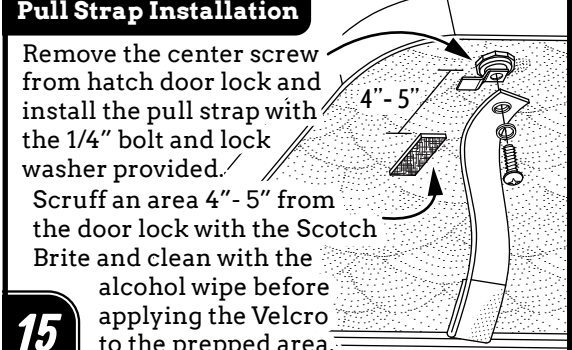
If the door will not close, try lowering the bottom bracket



Pull Strap Installation

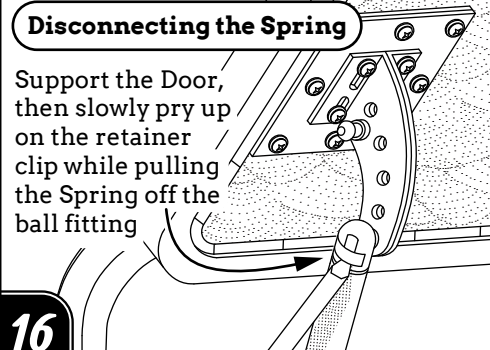
Remove the center screw from hatch door lock and install the pull strap with the 1/4" bolt and lock washer provided.

Scuff an area 4" - 5" from the door lock with the Scotch Brite and clean with the alcohol wipe before applying the Velcro to the prepped area.



Disconnecting the Spring

Support the Door, then slowly pry up on the retainer clip while pulling the Spring off the ball fitting



14 **15** **16**

Important Safety Instructions

Installing the Hatchlift Kit includes risk of bodily injury. Wear Safety Glasses while installing the Kit. When cleaning and priming the surface, wear rubber gloves. Be careful while installing the springs and operating the door. Risk of pinching fingers and hands are possible when door is being operated.

When finished, disconnect the spring(s) and allow 48 hours for the mounting plate adhesive to bond with the door

Copyright © 2011-2016 for Hatchlift Products, LLC. All rights reserved. Printed in USA. Patent Pending. (Instruction v020817)

Warranty: Hatchlift, LLC warrants to buyer for a period of 12 months from the date of purchase that the Hatchlift product will be free from defects in material and workmanship. If within the warranty period, the product is found to be defective, Hatchlift's sole obligation will be to replace the defective product at its option and expense excluding freight charges. Hatchlift, LLC does not warrant any products, accessories, or components not manufactured by Hatchlift, LLC but to the extent possible agrees to provide Buyer with the benefits of the manufacturer warranty, if any. Hatchlift, LLC shall not be liable for any damage to or wear of products caused in whole or part by abnormal conditions, improper application / installation, Hatchlift modification, use, or other causes external to the Hatchlift product.