

Tools Required for Installation:

- Variable speed drill
- Measuring Tape & Pencil
- #2 Phillips screwdriver
- Safety Glasses

May be required:

- Additional Wood blocking
- Wood Glue or Construction Adhesive

CAUTION

Gas springs are under heavy pressure and **CANNOT** be compressed manually

CAUTION

Bedlifts cannot be installed on slide outs with fixed base platforms. Bed base and deck must move together

CAUTION

Gas springs **CANNOT** retract after installation without the mattress and bedding in place

Bedlift Instructions for New Installations



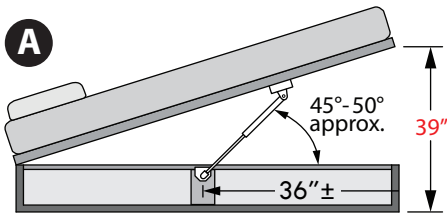
Kits cannot be returned after installing

Read All Instructions Before Installation

- Mattress/Bedding must be in place to operate the lifts.
- If the bed is difficult to operate or will not close, follow the instructions in Step 13.
- Do not install on beds in Slideouts with fixed base non-moveable platforms.
- Do not allow the bed to slam closed. Do not overextend when open.

Step 1 - Install Lower Mounting Brackets on the inside of the top rail

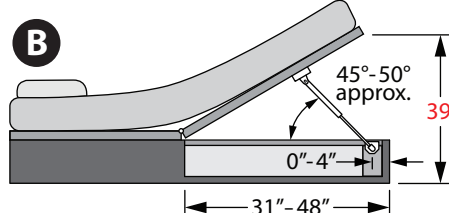
Note: All openings MUST be set at 39" from the floor when installing



Full Platform Beds

- BLK-STD (Queen Bed – Standard Mattress)
- BLK-LGE (Standard King – Oversized Queen)
- BLK-HVY (Oversized King – Heavy Mattress)

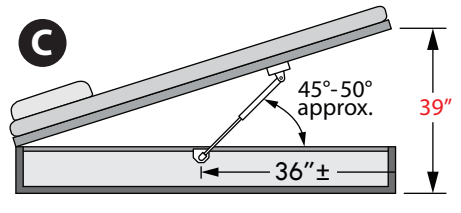
- **For compartments from 48" to Full Depth:** Measure back 36"± from front of bed



Partial Platform Beds

- BLK-STD (Queen Bed – Standard Mattress)
- BLK-LGE (Standard King – Oversized Queen)
- BLK-HVY (Oversized King – Heavy Mattress)

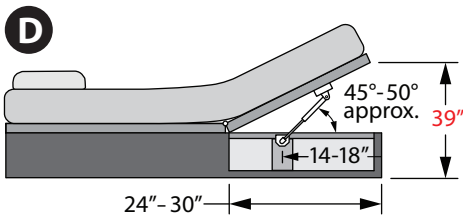
- **For compartments 31" to 48" deep:** Measure back 4" from front of bed



Foam Mattress Beds

- BLK-STD-LITE (Queen Bed - Foam Mattress)

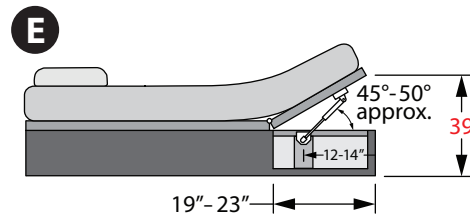
- **For compartments from 48" to Full Depth:** Measure back 36"± from front of bed



Small Compartment Beds

- BLK-SMALL (Queen Bed)

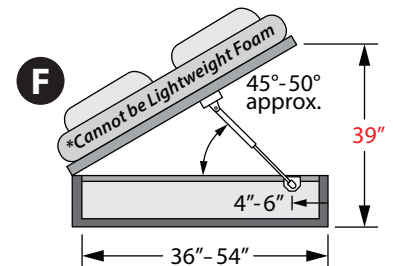
- **For 24" compartment:** Measure back 14"
- **For 26" compartment:** Measure back 16"
- **For 30" compartment:** Measure back 18"



X-Small Compartment Beds

- BLK-XSMALL (Queen Bed)

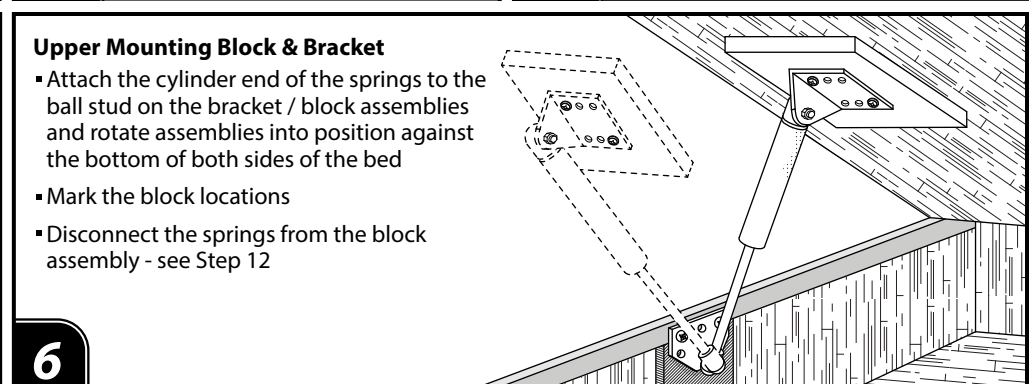
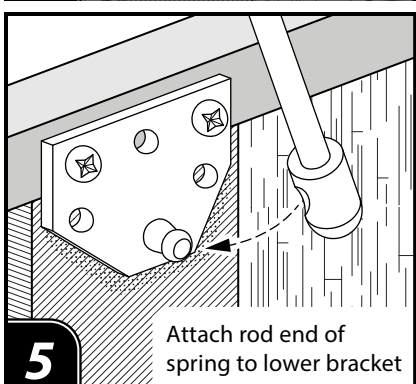
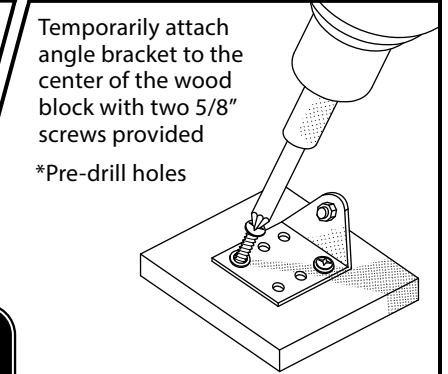
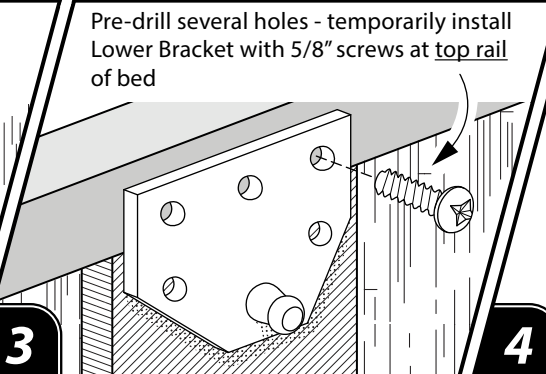
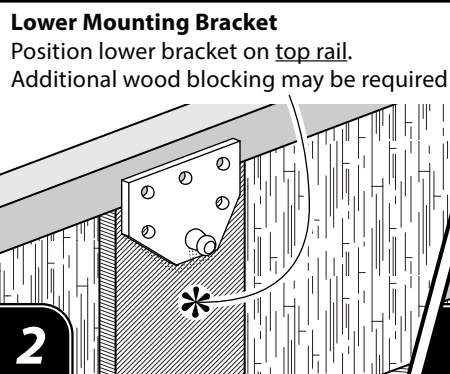
- **For 19" compartment:** Measure back 12"
- **For 21" compartment:** Measure back 13"
- **For 23" compartment:** Measure back 14"



Side-Load Beds

- BLK-SL (Standard Mattress)

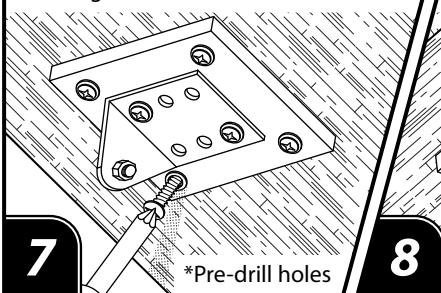
- **For compartments 36" to 54" deep:** Measure back 4" from front of bed



Upper Mounting Block & Bracket

- Attach the cylinder end of the springs to the ball stud on the bracket / block assemblies and rotate assemblies into position against the bottom of both sides of the bed
- Mark the block locations
- Disconnect the springs from the block assembly - see Step 12

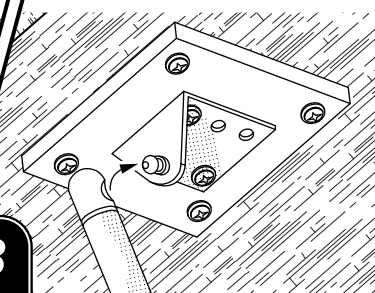
Install the wood blocks at the marked locations with 1¼" gold screws provided. Do not glue blocks at this time.



7

*Pre-drill holes

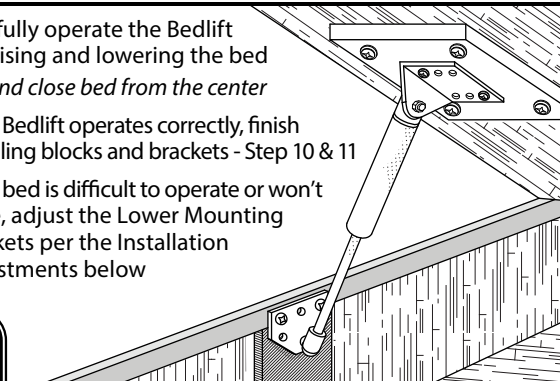
Reconnect the spring to the upper bracket assembly on both sides of the bed



8

- Carefully operate the Bedlift by raising and lowering the bed
Lift and close bed from the center
- If the Bedlift operates correctly, finish installing blocks and brackets - Step 10 & 11
- If the bed is difficult to operate or won't close, adjust the Lower Mounting Brackets per the Installation Adjustments below

9

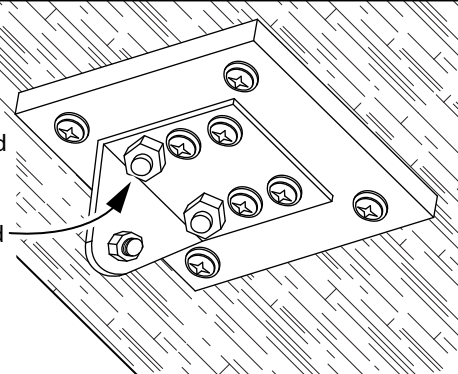


Steps 10, 11, 12 - Final Assembly & Operation

- After adjusting and testing the Bedlift, remove and glue the upper wood blocks to the bottom of the deck. Secure brackets with through-bolts provided*
- Finish installing the lower mounting blocks and brackets using the through-bolts provided*
Additional wood blocking may be required (not included)
- *** Note: Make sure to install through-bolts where they do not interfere with the spring operation**
- Always raise and lower the Bedlift from the center of the bed
- Do Not allow the bed to slam closed

Apply glue to block and back of deck
Pre-drill and install through-bolts provided

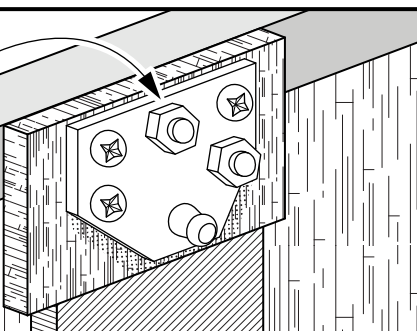
10



Pre-drill and install through-bolts provided

*Additional wood blocking may be required (not included)

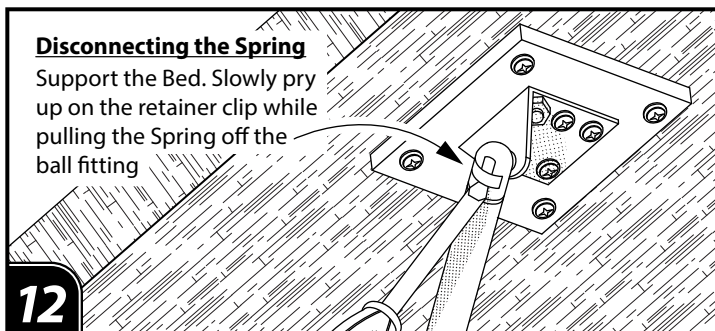
11



Disconnecting the Spring

Support the Bed. Slowly pry up on the retainer clip while pulling the Spring off the ball fitting

12



Step 13 - Installation Adjustment

Before Adjusting:

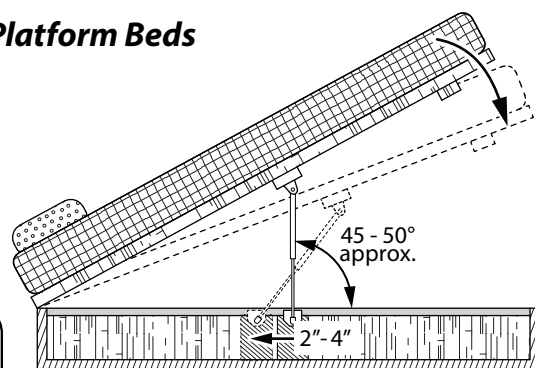
- Make sure the bed was set at 39" from the floor when the kit was installed.
- Make sure the mattress and all bedding are in place when trying to operate the Bedlift.

To Adjust:

- **For Full Platform, Small and X-Small Compartment Beds:** Move the lower bracket back towards the head of the bed in 2" increments.
- **For Partial Compartment and Side-Load Beds:** Move the lower bracket forward towards the foot of the bed in 2" increments.
- *If after 2 adjustments the Bedlift does not operate correctly, send us a picture of the bed in the open position to info@hatchlift.com. Include the bed and mattress size with the kit size and we can help troubleshoot the installation.*

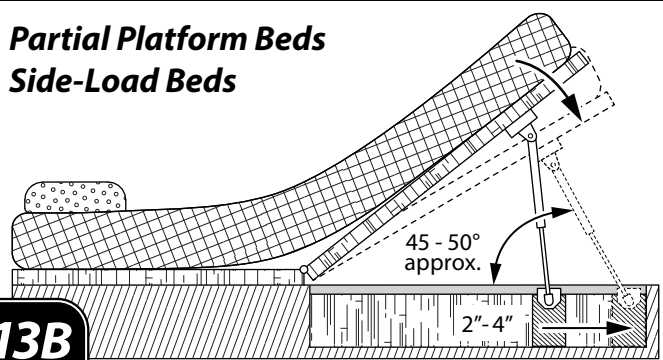
Full Platform Beds

13A



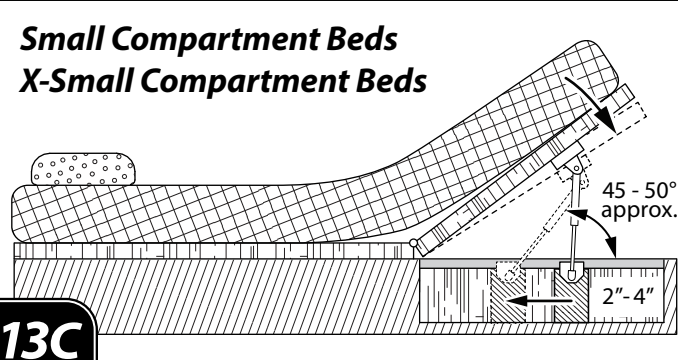
Partial Platform Beds Side-Load Beds

13B



Small Compartment Beds X-Small Compartment Beds

13C



Important Safety Instructions

Installing the Hatchlift Bedlift Kit includes risk of bodily injury. Wear Safety Glasses while installing the Kit. Use care when installing the springs and operating the bed. Risk of pinching fingers and hands are possible when bed is being operated.

Watch the Bedlift Installation Video at www.Hatchlift.com

Warranty: Hatchlift, LLC warrants to buyer for a period of 12 months from the date of purchase that the Hatchlift product will be free from defects in material and workmanship. If within the warranty period, the product is found to be defective, Hatchlift's sole obligation will be to replace the defective product at its option and expense excluding freight charges. Hatchlift, LLC does not warrant any products, accessories, or components not manufactured by Hatchlift, LLC but to the extent possible agrees to provide Buyer with the benefits of the manufacturer warranty, if any. Hatchlift, LLC shall not be liable for any damage to or wear of products caused in whole or part by abnormal conditions, improper application / installation, Hatchlift modification, use, or other causes external to the Hatchlift product.

Return Policy: Bedlift Kits may be returned within 30 days of purchase. A 25% restock fee is charged. Freight charges are non-refundable. Return authorization required. Email return requests to: info@hatchlift.com

Copyright © 2012-2017 for Hatchlift Products, LLC. All rights reserved. Printed in USA. Patent pending. (Instruction v.022817)