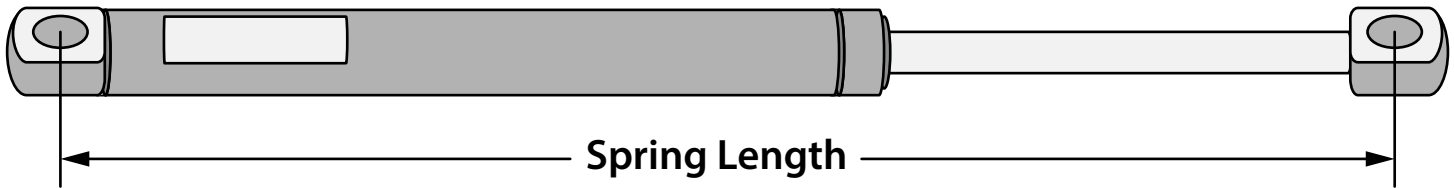
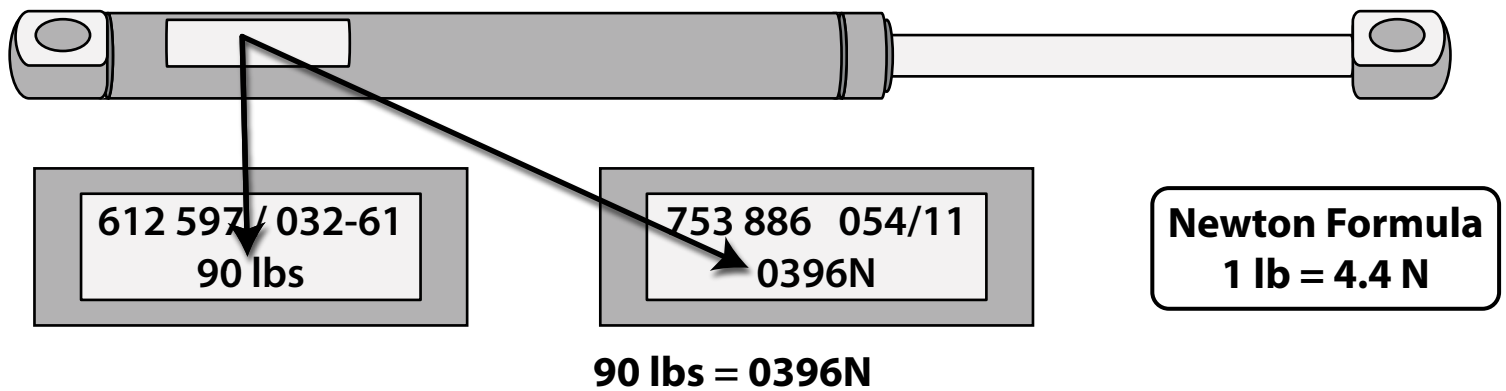


- Gas Springs over 40 lbs pressure cannot be tested manually - Springs must be installed to test
- If there are 2 Gas Springs on the same application, we recommend replacing both Springs
- The Spring length should be plus or minus 1/2" in length from the original Spring
- Always install the Spring with the rod end pointing down

**Step 1** Measure Spring length fully open/extended from center of ball to center of ball

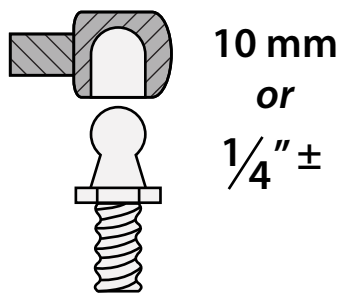


**Step 2** Determine the force of the Spring. The information is usually on the Spring body and will be rated in lbs or in Newtons.

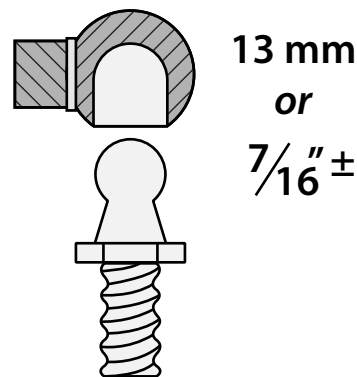


**Step 3** Hatchlift Springs are shipped with standard 10mm black rectangular plastic ends  
\* 13mm End-Fittings are available

### Standard End-Fitting



### Optional 13mm End-Fitting



1 mm = 0.039 in

### Typical Gas Spring Sizes:

